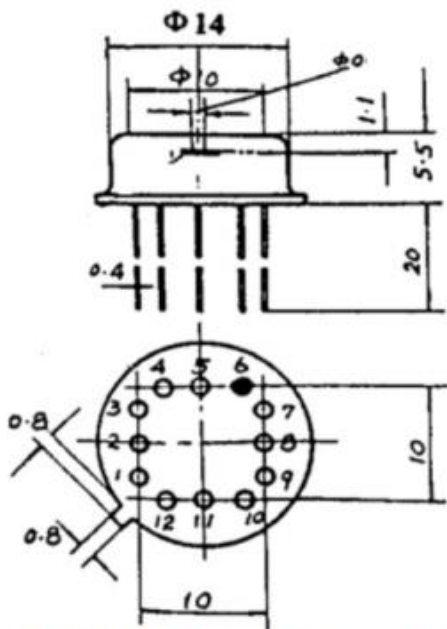


Parameter	Symbol	Unit	Numerical Value		
			Min	Typical	Max.
1	Photosurface diam	ϕ	mm	0.2	
2	Spectral range	λ	nm	900	1700
3	Dark Current	I_d	nA		10
4	Working Voltage	V_R	V	30	63
5	Voltage responsivity	1550nm	R_v	$V/w \times 10^5$	3.5
		1310 nm	R_v	$V/w \times 10^5$	3.0
6	Noise equivalent power	1550 nm	NEP	$P_w/Hz^{1/2}$	0.25
		1310 nm	NEP	$P_w/Hz^{1/2}$	0.25
7	Response Time	Rise	t_r	ns	4.5
		Fall	t_f	ns	4.5
8	Output Impedance		Ω	50	
9	Bandwidth		MHz	70	80
10	Amplifier supply voltage	V_s	V	± 5.0	
11	Amplifier supply current	$+I_s$	mA	20	
12	Amplifier supply current	$-I_s$	mA	10	
13	Operating Temperature	T_A	$^{\circ}C$	-40	+70



Construction and dimensions

Pin	Join Methods
1	Signal Output
2	---
3	-5V
4	APD Bias voltage
5	---
6	Pipe shell
7	---
8	temperature signal (+)
9	temperature signal (-)
10	Power Ground
11	---
12	+5V

Pin Join Methods

